

LUX M2



KOHLER LOMBARDINI 1003 | 3 CYL | 1500 RPM
LIQUID COOLED ENGINE



VERTICAL TELESCOPIC MAST
MAX HEIGHT | 9 m
LIFETIME WARRANTY



RATED OUTPUT | 8 kVA - 230V
OUTLET SOCKET | 3.5 kVA - 230V



FUEL CONSUMPTION | 1.85 l/h
RUNNING TIME | 43 hr



METAL HALIDE FLOODLIGHTS | 4X1000 W
ILLUMINATED AREA | 4200 m²



340° MAST ROTATION
ADJUSTABLE FLOODLIGHTS



GALVANIZED METAL BODY
80 µm POWDER COATING

LM SERIES



MADE IN
ITALY



LUXTOWER 
lighting towers

LM Series LUX M2

TECHNICAL DATA

Rough dimensions & weight

Dimensions min.	mm	2540 X 1380 X 2640
Dimensions max.	mm	2540 X 2580 X 9000
Total weight without fuel	Kg	770

Features

Rotation		340°
Floodlight	W	4 X 1000 W
Lamps type		METAL HALIDE
Wind stability	Km/h	80
Optional		Main/generator switch Bunded tank

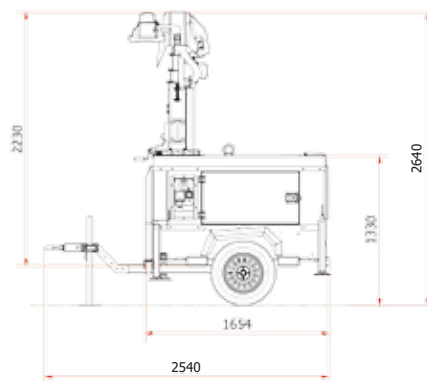
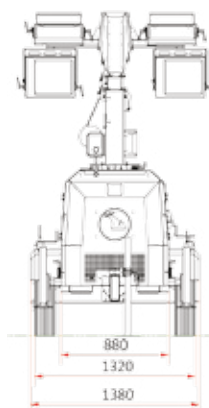
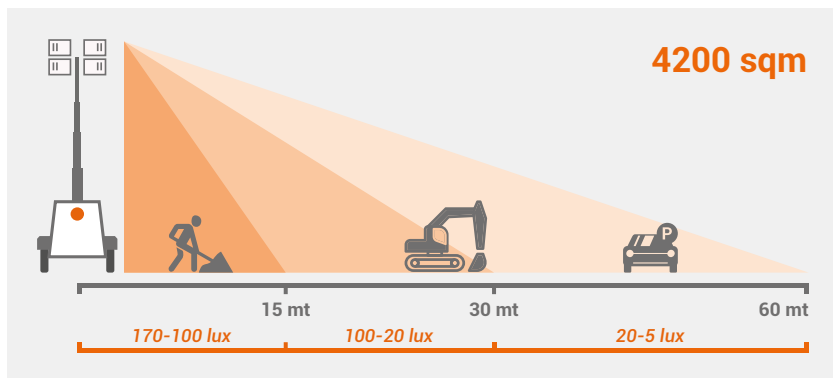
Alternator

Model		Synchronous Linz Alumen
Frequency	Hz	50
Degree of protection	IP	23
Rated output	kVA/V	8 - 230
Outlet socket	kVA	3

Engine

Model	Kohler Lombardini KDW1003 3 cyl. liquid cooled	
Fuel		Diesel
r.p.m.		1500
Noise Level	db at 7 meters	65
Tank capacity	l	80
Running time	h	43
Fuel consumption	l/h	1.85

Illuminated Area // 5 lux min



Load Delivery



40" HC Container 14 Units
20" Container 6 Units



Truck | **Assembled** 8 Units
Disassembled 14 Units

